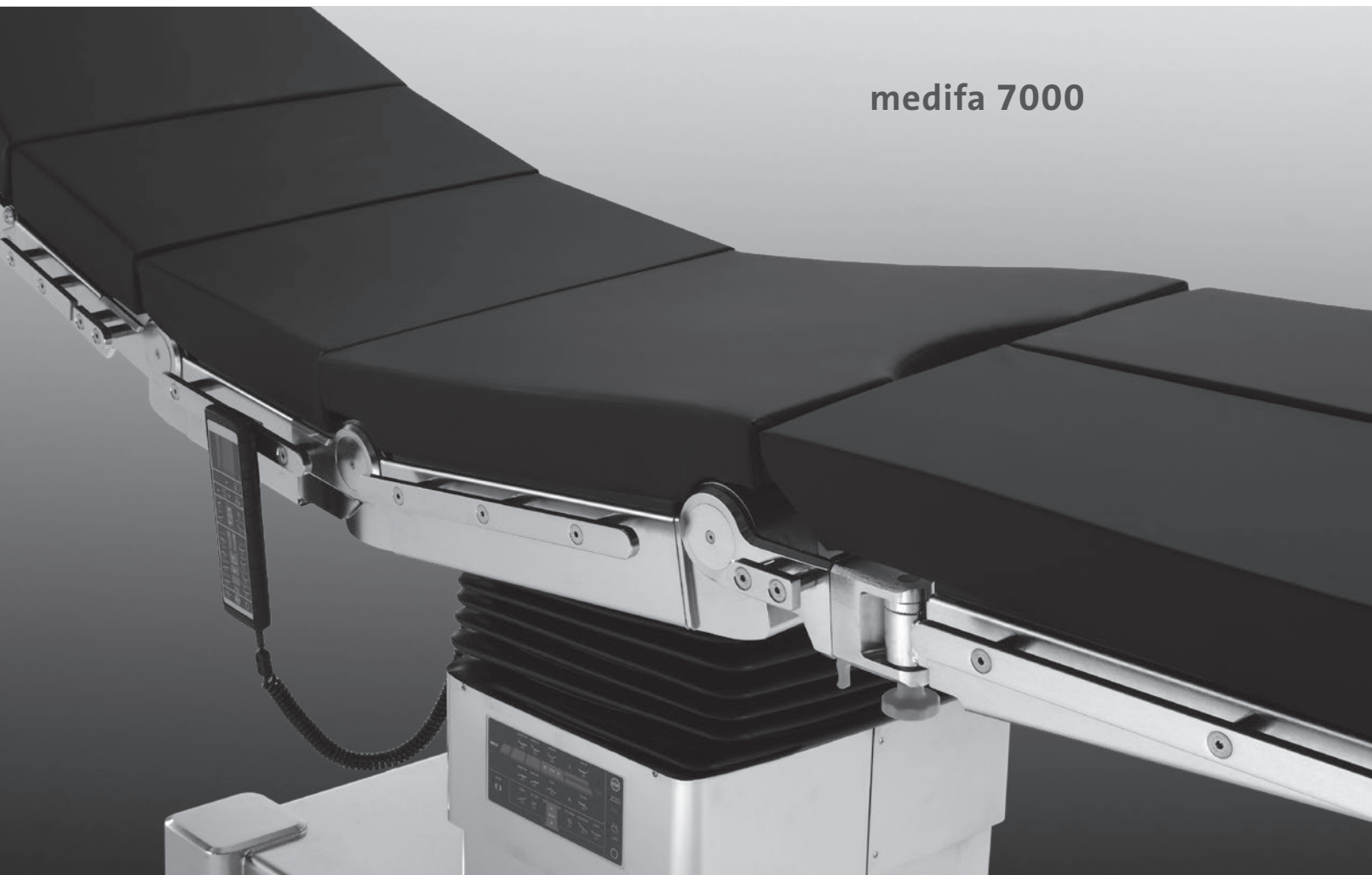


medifa 7000



we care.

WWW.MEDIFA.COM | A COMPANY OF THE HOHNHAUS & JANSENBERGER GROUP

**Mobile heavy-load
operating tables**



Perfection and comfort

Also designed for adipose patients
up to 544 kg (1.200 lbs)

Low maintenance by the use of
recent electric motors

Modern development to meet the growing
requirements in the operating theatre

Optimal decubitus prevention through
80 mm strong upholsteries with memory
effect

Use of high-quality materials only

Different models for all kinds of
surgical disciplines

544 kg



Design and technique on highest level

Possibility of patient positioning in reverse mode by use of leg rest as back rest

Large X-ray areas in the lying surface guarantee optimal use of C-arms

Optional continuous radiographic cassette tunnel for conventional X-ray (art.-no. 70642)



Optional longitudinal sliding up to 380 mm (only for models 700200 & 700300, art.-no. 71640)



380 mm

Height adjustment up to 520 mm allows flexible and optimal operating positions for the user

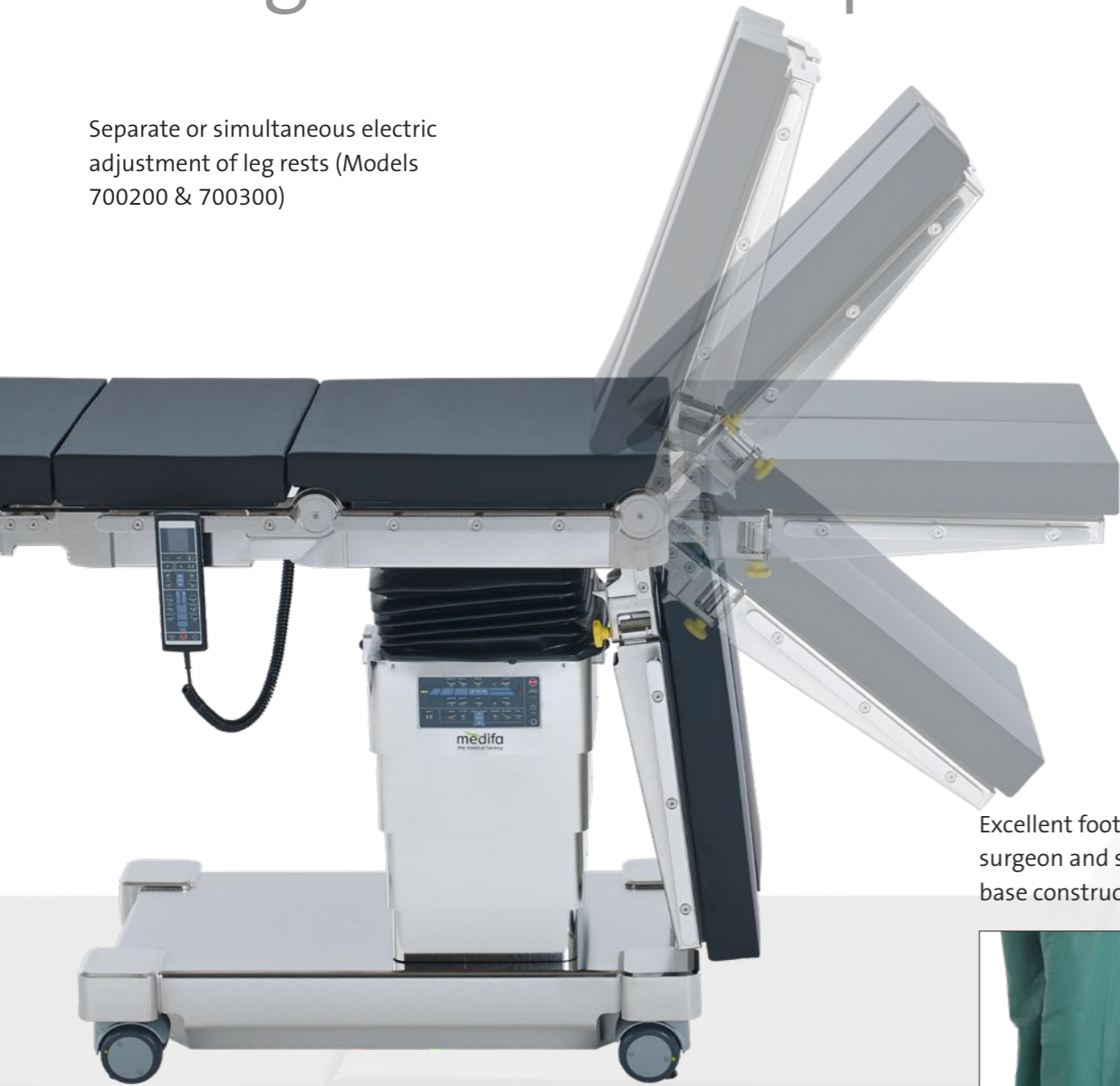
520 mm

A low basic height allows endoscopic procedures and sitting interventions



Design and technique on highest level

Separate or simultaneous electric adjustment of leg rests (Models 700200 & 700300)



Optional back-up system ensures operability of operating table's basic functions in case of an electronic defect (art.-no. 70655)



Possibility of simultaneous leveling of lying surface by the use of modern technique



Newly developed coupling points allow a quick and easy attachment of the table segments and accessories

Excellent foot access and legroom for surgeon and surgical team by special base construction



Mobility

Electronic drive by means of a motorized fifth castor simplifies positioning of operating table before and after operation (optional, art.-no. 70645)



Hand grips for motorized manoeuvring of operating table with integrated precise speed control (optional, art.-no. 71570)

Console for comfortable positioning of hand switch during manoeuvring of operating table (optional, art.-no. 61575)



Easy and safe patient transfer by the use of double free running castors

Optimal stability of operating table by means of extendible stabilization cylinder

Control concept

Intuitive and user-friendly handling of operating table

Hand switches and control unit at column use same icons and colour design

Colour display of hand switch shows the motion of active segments as well as their currently chosen position

Backlit hand switches and displays ensure correct control of operating table even in darkened operating rooms

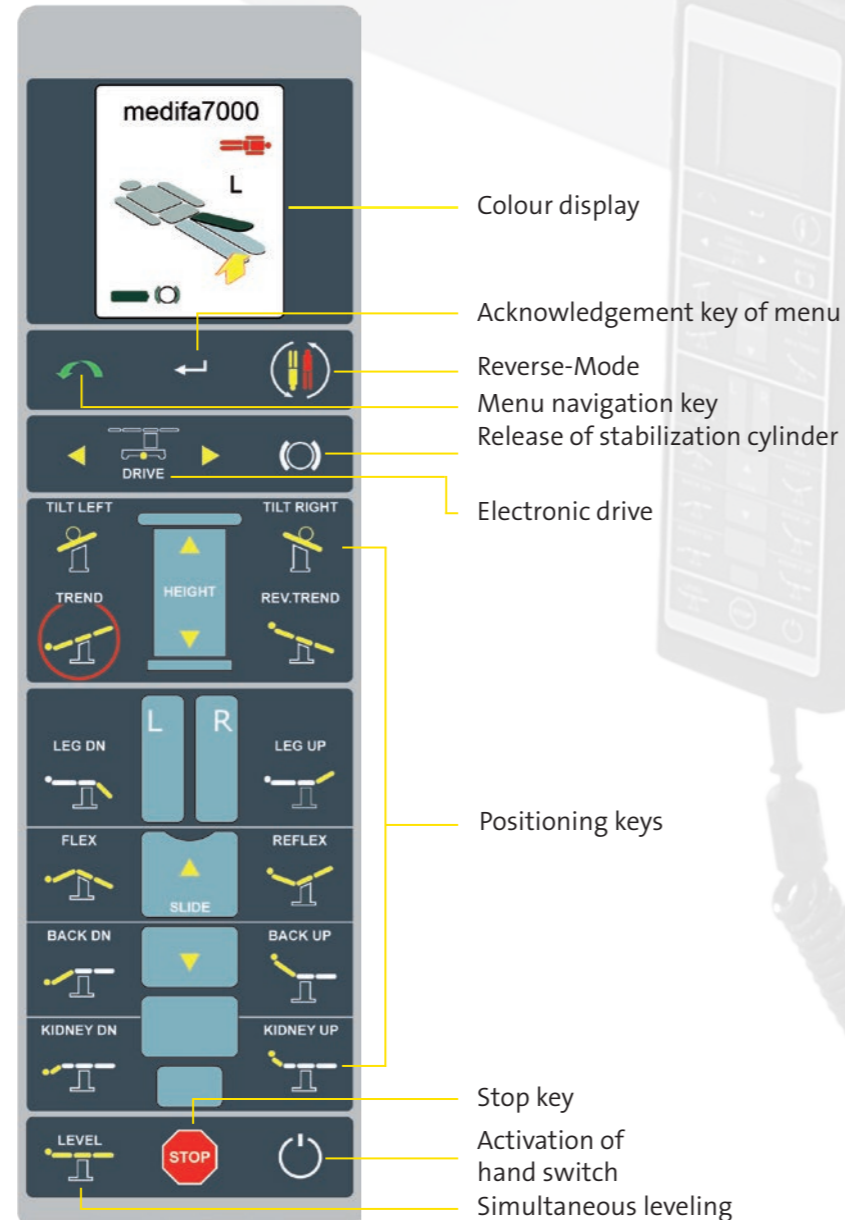
Same control structure in reverse positioning through activation of reverse mode key like in normal position

Keys for motorized patient transfer

Separate or simultaneous adjustment of leg rests

Simultaneous leveling of all segments through activation of level key

Immediate ending of all active motions through activation of stop key

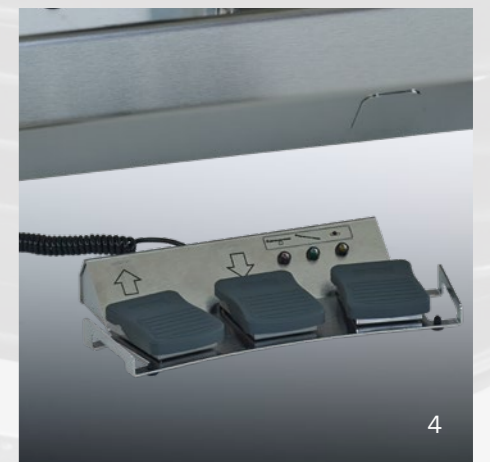
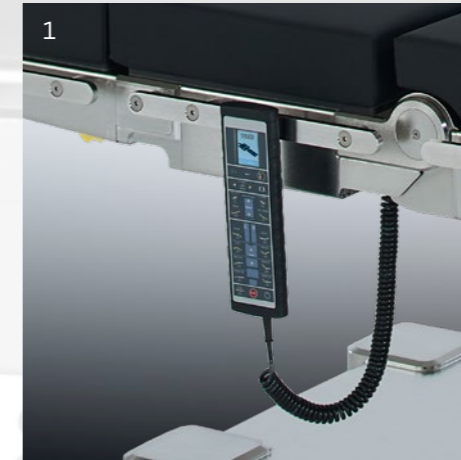


1. Electric adjustments by means of backlit hand switch with integrated colour display and battery indicator

2. Electric adjustments by means of backlit and infrared remote control with integrated colour display and battery indicator (optional, art.-no. 704070)

3. Additional control unit at the column for electric adjustments

4. Electric adjustments of main functions (height, lateral and Trendelenburg) by means of foot switch (optional, art.-no. 704060)



Positioning examples

Thoracic surgery / Kidney position



Gallbladder surgery



Minimally invasive surgery



ENT / Ophthalmology



Urology / Gynaecology



Spinal surgery / Proctology



Positioning examples



Neurosurgery



Gastric Banding



Orthopaedics

Shoulder arthroscopy



Arm and hand surgery



Knee arthroscopy



Models

700100

- Maximum permissible overall load: 544 kg (1.200 lbs)
- Height adjustment from 580 to 1100 mm
- Trendelenburg adjustment from -30° up to +30°
- Lateral tilt up to 20°
- Back rest adjustment from -45° up to +80°
- Manual adjustment of leg rests from -90° up to +40°
- Flex / Reflex position by hand switch and control unit at column
- Automatic simultaneous leveling of lying surface
- Control unit at column for electric adjustments
- Interfaces for hand switch, infrared remote control and foot switch
- Floor locking by 4 extendible stabilization cylinder between the double swivel castors
- Visco elastic comfort upholsteries with memory effect, h = 80 mm, three-layered, electrically conductive



- Exchangeable back section segments
- Possibility of reverse mode
- Integrated batteries and battery charger (capacity for approx. 1 week normal usage)
- Weight of table: 270 kg
- Table top (l x w) : 2180 x 550 mm (incl. head and leg rest)

700200

Same as 700100, however with:

- Separate or simultaneous electric adjustment of leg rests from -90° to +80°
- Longitudinal sliding of table top up to 380 mm (optional, art.-no. 71640, changes lowest table top height from 580 to 600 mm)



700300

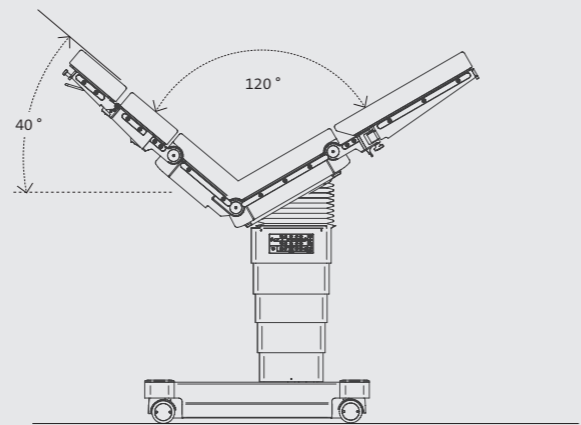
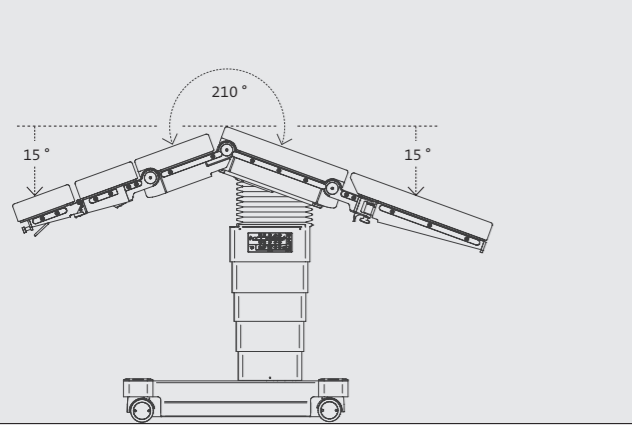
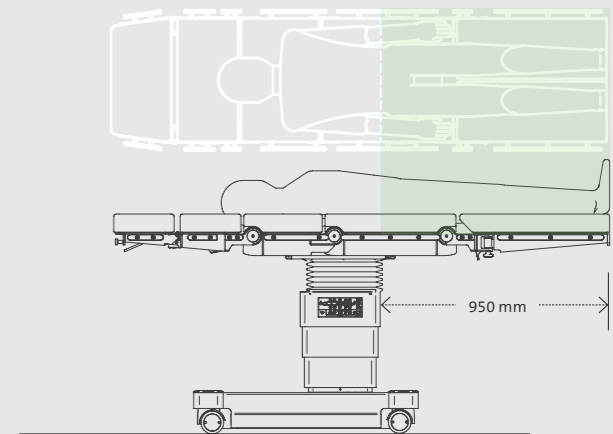
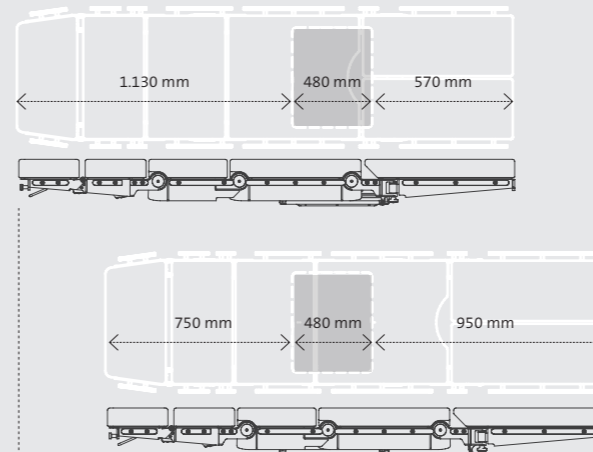
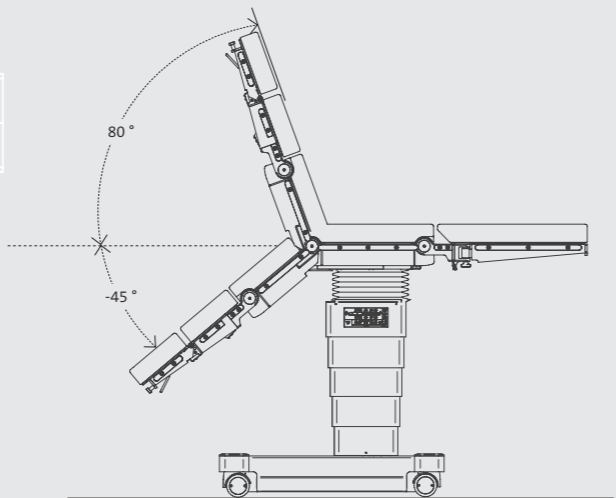
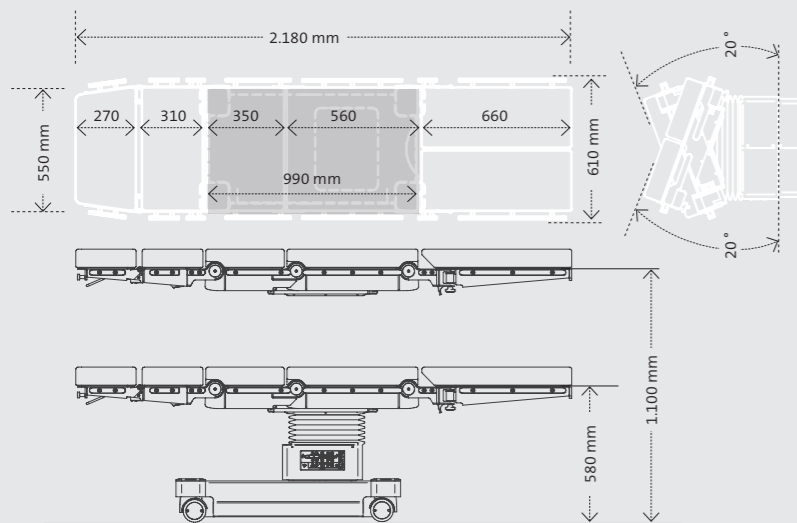
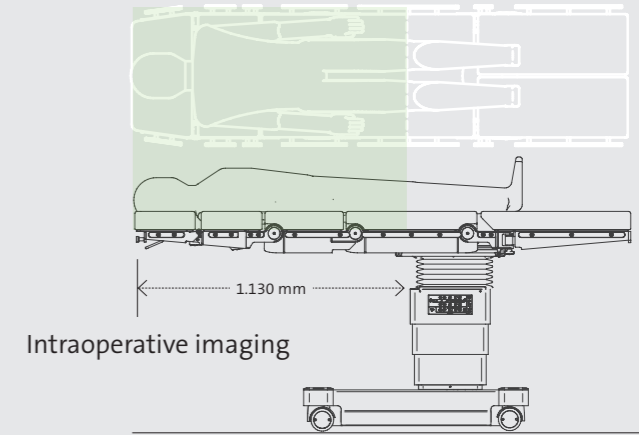
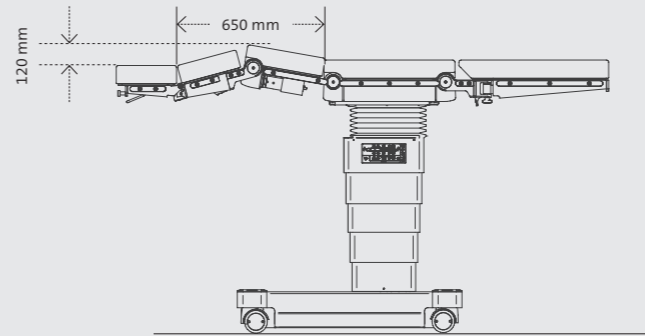
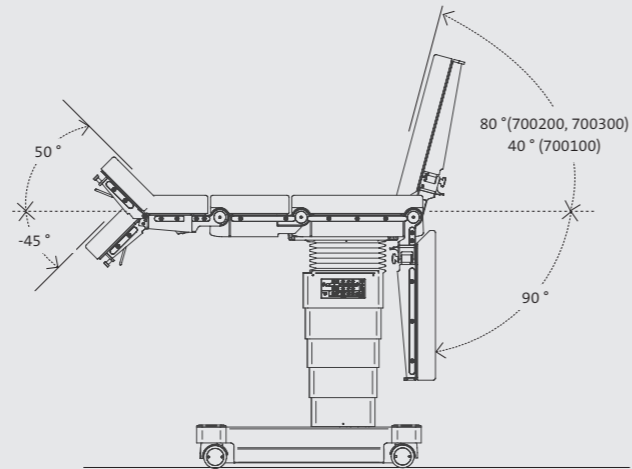
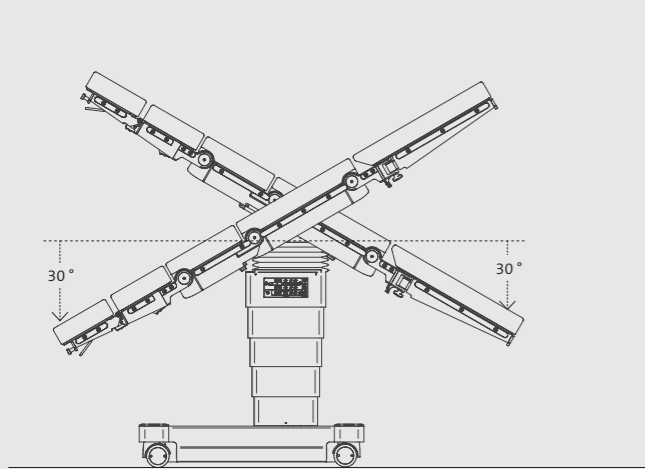
Same as 700200, however with:

- Electric adjustment of kidney bridge
- Adjustment of upper back rest from -40° to +50°
- Longitudinal sliding table top up to 380 mm (optional, art.-no. 71640, changes lowest table top height from 580 to 600 mm)

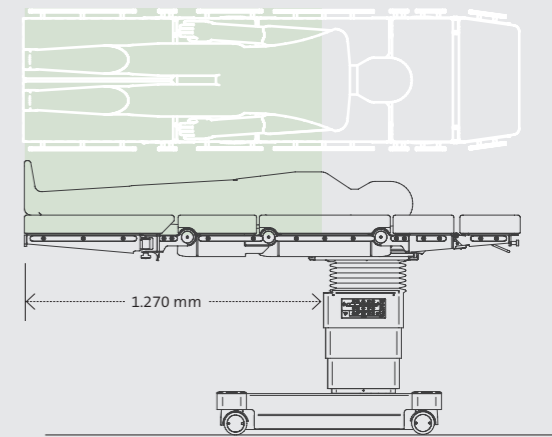
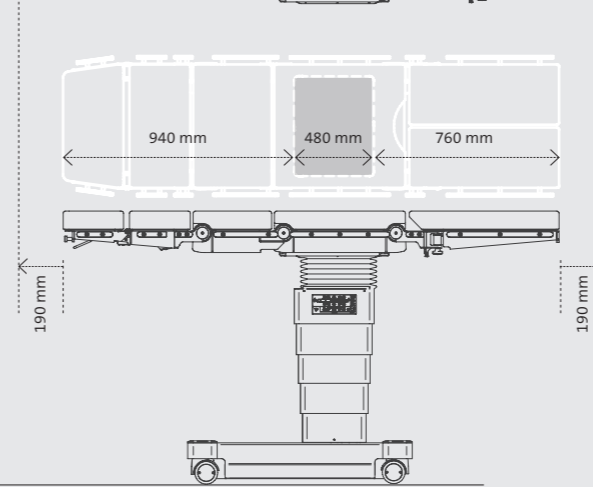


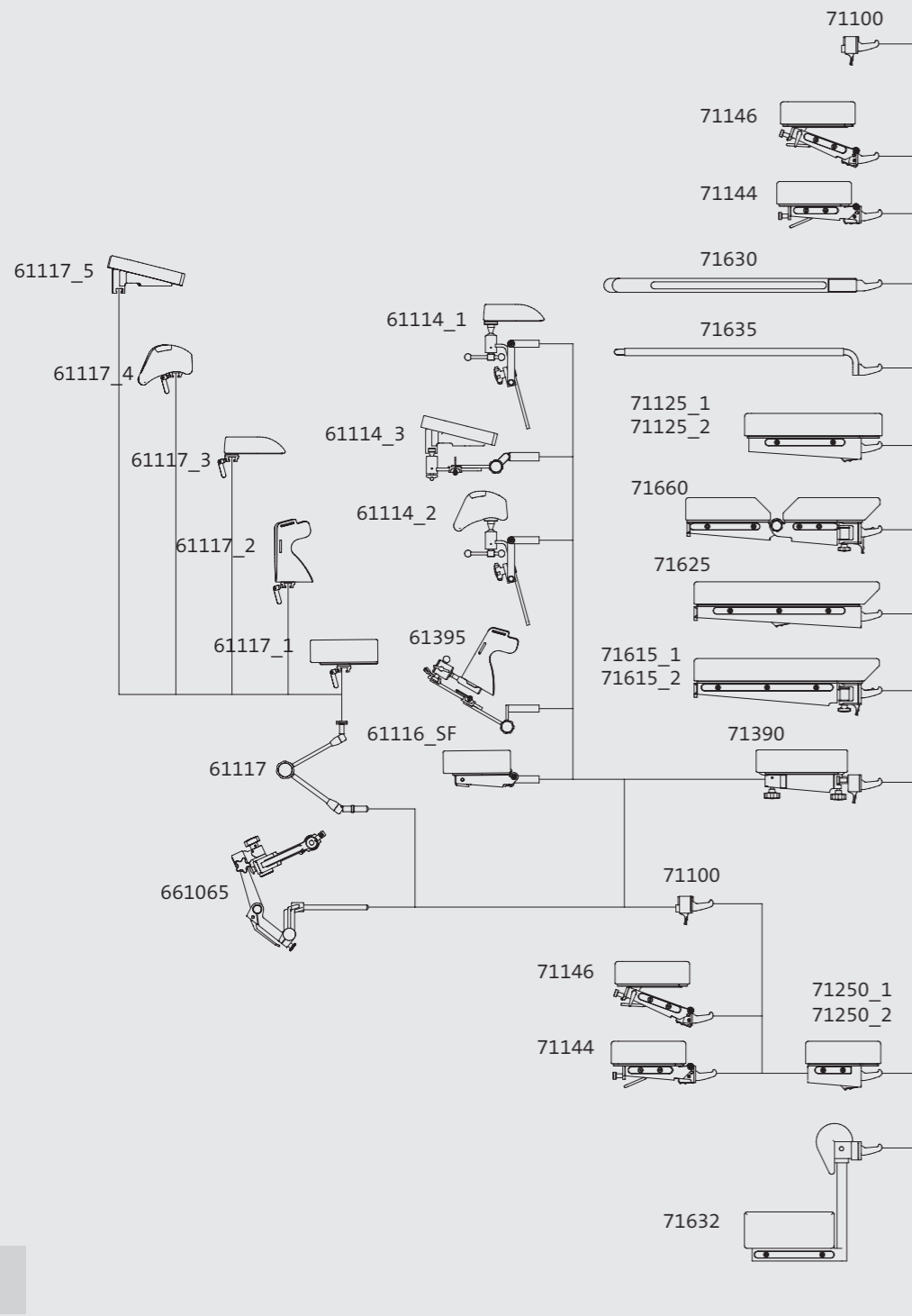
	Range	700100	700200	700300
Height adjustment	580 - 1100 mm	●	●	●
Trendelenburg	-30° / +30°	●	●	●
Lateral tilt	-20° / +20°	●	●	●
Lower back rest adjustment	-45° / +80°	●	●	●
Upper back rest adjustment	-40° / +50°			●
Kidney bridge				●
Flexion		●	●	●
Sliding of table top	up to 380 mm		◆◆	◆◆
Leg rest adjustment	-90° / +40°	■		
Leg rest adjustment	-90° / +80°		●	●
Separate leg rest adjustment	-90° / +80°	■	●	●
Simultaneous leveling		●	●	●
Electronic drive		◆	◆	◆
Central brake (Stabilization cylinder)		●	●	●
Maximum permissible overall load		544 kg	544 kg	544 kg

■ Manual ● Electric ◆ Optional



Optional longitudinal sliding of table top (only models 700200 & 700300)





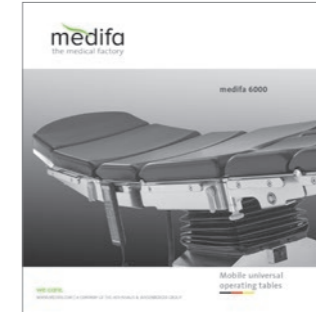
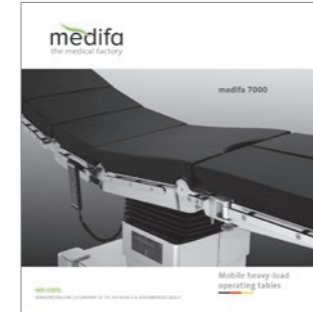
Additional accessories

A wide range of optional accessories complements the application spectrum of our operating tables.

For central storage of accessories we offer an accessory trolley (art.-no. 341045_3) completely made of stainless steel. The trolley has five insertions for storing of upholstery segments and five guide rails for attachment of additional accessories as well as a shelf for smaller accessories.



Our full range of products:



**medifa**
the medical factory



medifa GmbH & Co. KG
Industriestrasse 5
57413 Finnentrop

fon +49 2721 71 77 -0
fax +49 2721 71 77 -15

www.medifa.com
info@medifa.com



Version 0002-17-EN
Data subject to change without notice.

Made in Germany

