



medifa 4000 GYN

Examination chair
systems for gynaecology



we care.

Perfection and Ergonomics

Ergonomic and modern design

Polished high quality
stainless steel edition

Optimal to clean and disinfect

User friendly foot switch conception

Additional hand switch with coloured
display (400550/570)

Accessible for handicapped
and elderly people

12 memory positions/ 4 user accounts

Time saving by simultaneous drive of
engines (memory-positions)

Various colouring possible

Small footprint by compact
construction

Maximum permissible
overall load of 200 kg



Functionality and Design



Functionality and Design



Powered adjustment of leg holder system up to 30°



Functionality and Design

Powered adjustment of height
from 550 up to 900 mm

Powered adjustment of
back section up to +50°

Powered adjustment of
pelvis section up to +20°

Models

400520

Examination chair with powered height adjustment, adjustment of pelvis section and back section

Shown accessories:

40023

Neck upholstery

81726_1

Footrests „Comfort“ incl. artificial leather cover



Illustrations with accessories

400550

Examination chair with powered height adjustment, adjustment of pelvis and back section, hand switch and memory function with three programmable positions for four operators

Shown accessories:

40023

Neck upholstery

40000

Powder coated base according to RAL colour chart

42000

Column cover made of stainless steel

81717

Leg holders according to Goepel incl. artificial leather covering



Illustrations with accessories

Models

400570

Examination chair with powered height adjustment, adjustment of pelvis and back section, leg holder adjustment, hand switch and memory function with three programmable positions for four operators

Shown accessories:

40023

Neck upholstery

81726_2

Footrests incl. artificial leather cover



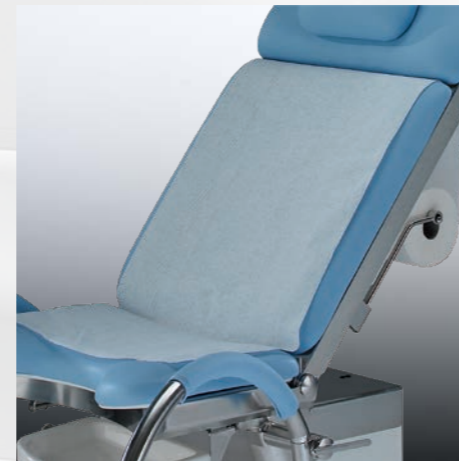
	Range	400520	400550	400570
Height adjustment	550 - 900 mm	●	●	●
Height adjustment by means of raising pelvis part	230 mm		550 - 1130 mm	
Adjustment of pelvis section	+20°	●	●	●
Adjustment of back section	+50°	●	●	●
Leg holder adjustment	30°	■	■	●
Memory (12 positions)			●	●
Hand switch		◆	●	●
Maximum permissible overall load		200 kg	200 kg	200 kg

● Electric ■ Manual ◆ Optional

Kindly note that all dimensions and degrees are approximate values. Deviations conditioned by production are possible.

Basic Features

- Aluminium base and column cover powder coated, white (RAL 9010)
- Seat part and back rest frame made of polished stainless steel
- Electric movements controlled by easy operated cable foot switch
- Electric movements controlled by easy operated hand switch with colour display (Model 400550, 400570)
- Floor levelling screws for secure standing
- Upholstery with ergonomic form, 50 mm thickness
- Head and back upholstery prepared for neck upholstery with magnetic fixation
- Plastic covered backsides of upholstery parts
- Paper roll holder for paper rolls (up to 500 mm) at back rest
- Paper unreelable over back rest and seat part, or just over seat part
- Mounting device for side rails (25 x 10 mm), hand grips as well as a fixation device for leg holder system acc. to Goepel
- Extendable, inclinable, detachable white plastic basin
- Safe working load: 200 kg
- Weight of the chair: approx. 110 kg
- Floor space required: 860 x 550 mm
- Power supply: 110/230 V / 50-60Hz , incl. 3 m cable

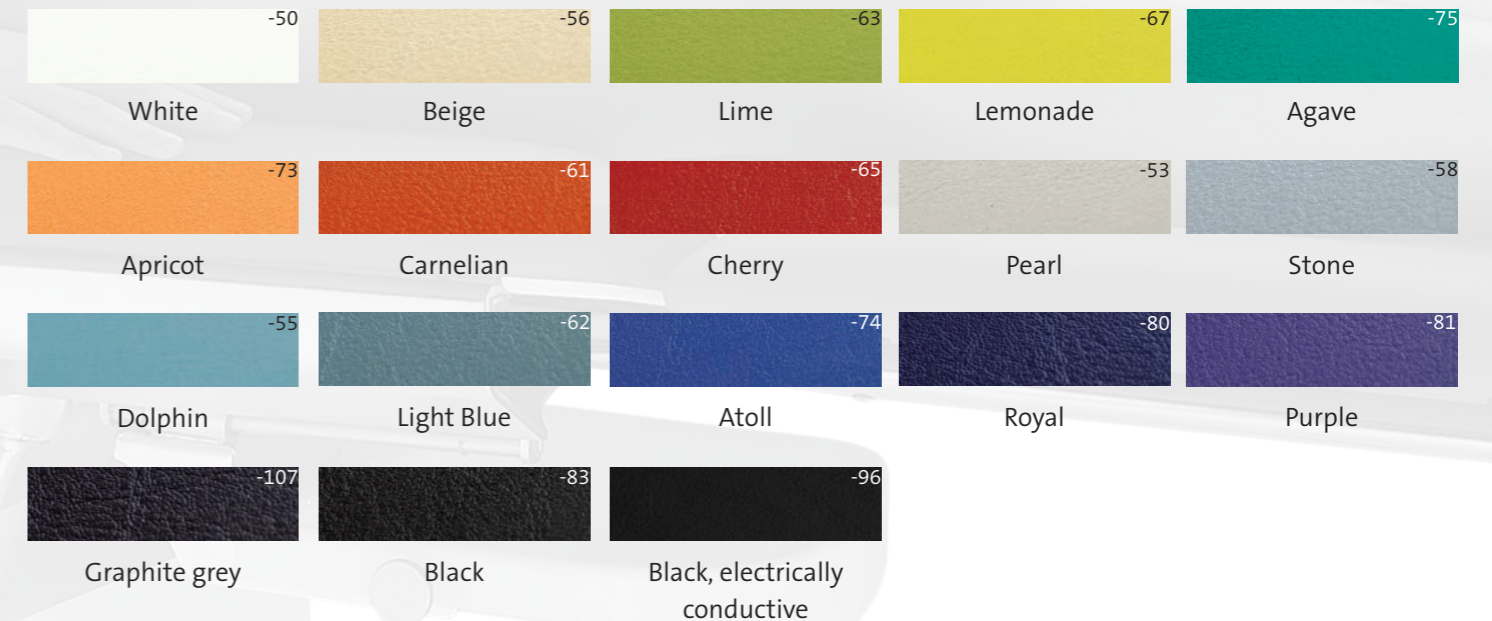


Kindly note that all dimensions and degrees are approximate values. Deviations conditioned by production are possible.

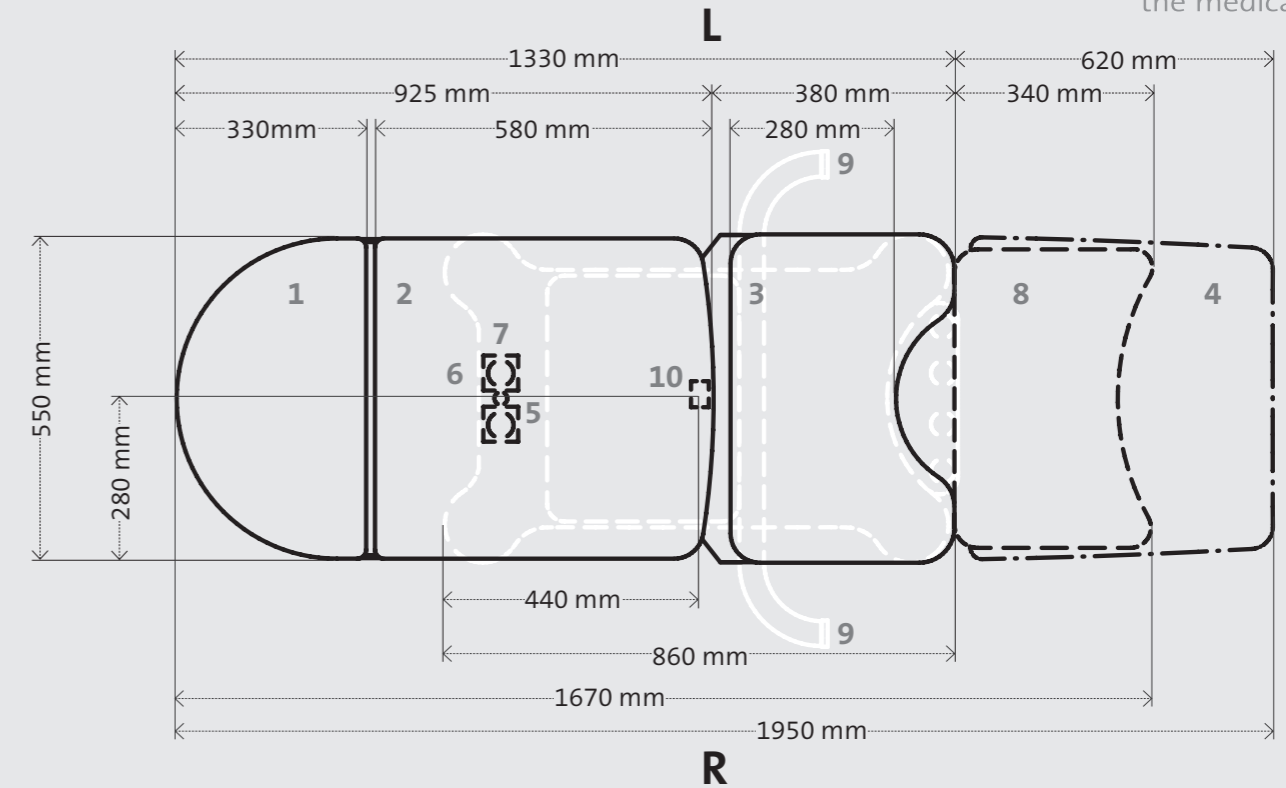
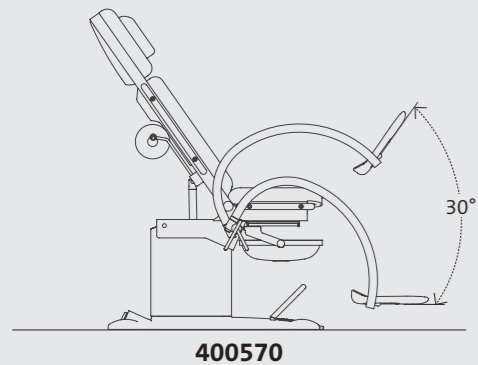
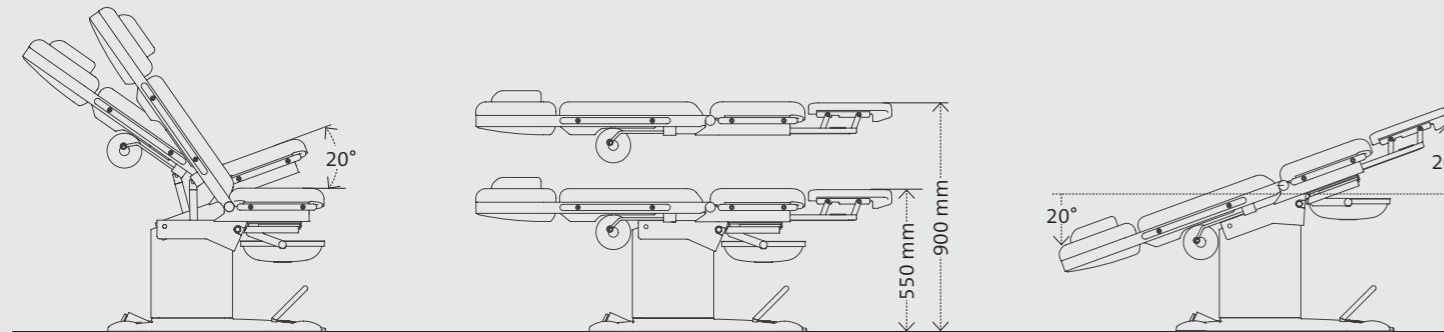
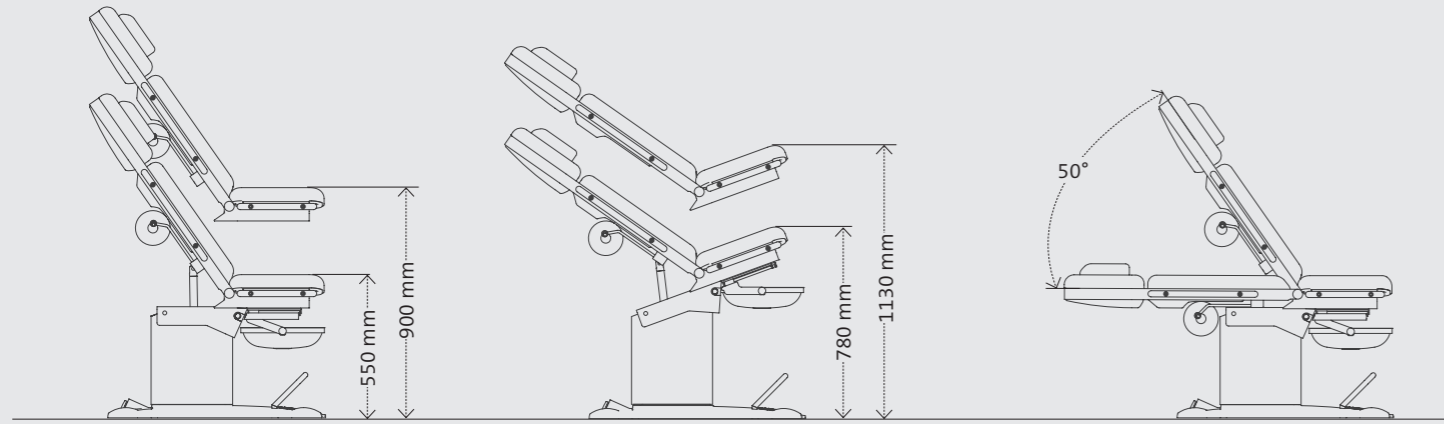
Comfort and Elegance

Upholstery

- Ergonomic implementation of upholstery parts
- Rounded rough edges
- High quality artificial leather
- Seamlessly manufactured
- Optimal possibilities to clean and to disinfect
- Various colourings without any extra charge
- Incl. magnetic fixation for neck rest upholstery



Technical Information



1.	Head upholstery	6.	Power cable outlet
2.	Back upholstery	7.	Socket at the base (accessory 40677)
3.	Pelvis upholstery	8.	Leg plate (accessory 400076)
4.	Leg plate (accessory 400066)	9.	Colposcope holder, right or left (Accessory 82347_System)
5.	Potential equalisation (accessory 40678)	10.	Cable outlet for floor connection

Leg Holder Systems



81726_1

Footrests Comfort (pair), made of stainless steel, with integrated hand grip function and artificial leather cover, for attachment at the chair's tothing elements

- Stepless, gas spring supported one-hand height adjustment
- Pre-adjustment of the footrests by tothing elements at the chair
- Swivelling
- Grey foamed PUR footrests



81726_2

Footrests (pair), made of stainless steel, with integrated hand grip function and artificial leather cover, for attachment at the chair's tothing elements

- Adjustment of footrests by tothing elements at the chair
- Swivelling
- Grey foamed PUR footrests
- Suitable for electric adjustment (400570)

Leg Holder Systems



81717

Leg holders according to Goepel (pair), made of stainless steel, with integrated hand grip function and artificial leather cover, for attachment at the chair's tothing elements (only for types 400520, 400550, 400570)

- Adjustment of leg holders by tothing elements at the chair
- Swivelling
- Grey foamed PUR footrests
- Stepless adjustment of the knee bolsters by ball joint
- Suitable for electric adjustment (400570)



81705

Leg holder according to Goepel Comfort with grey foamed PUR knee bolsters (pair)

85223

Side rails at pelvis section for accessory attachment (pair), 25x10 mm, l= 320 mm

81500

Clamps made of stainless steel, rotatable, for side rail attachment (pair)

Leg Holder Systems



81700

Leg holders according to Goepel Classic with black foamed PUR knee bolsters (pair)

81710

Additional charge for artificial leather cover of knee bolsters (only 81700) in upholstery colour



400066

Leg plate for horizontal positioning of the patient

- Leg plate adaption by insertion below the seat part
- Enlargement of the chair's lying surface up to 1950 mm



400076

Leg plate for short horizontal positioning of the patient

- Complete insertion of the leg plate below the seat part
- Enlargement of the chair's lying surface up to 1670 mm



40508

Leg holder clamps (pair) for attachment at pelvis section, white (RAL 9010)

Gynaecological Accessories



82347_System

Colposcope holder for systems Olympus, Kaps, Zeiss, Leisegang, adaptable to the left or to the right

81072

Gyn. treatment set with extendible arm, swivelling, adaptable to the left or to the right, incl. additional accessories: 1 stainless steel storing-peel for instruments, 3 glass cups with lids, 3 glass bottles with lids, 4 instrument holster, 1 object slide



81051

Stainless steel board with extendible arm, swivelling, adaptable to the left or to the right, dimensions: L x W = 413 x 398 mm

81047_200

Instrument drop made of stainless steel for fixation at column of chair, extendable by means of telescopic rail (Tip-on), with stainless steel bowl (12.5 litres) and stainless steel basket for specula

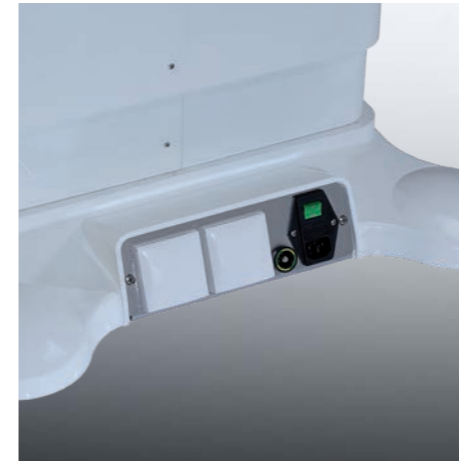
Dimensions (Stainless steel bowl):

L x W x H = 300 x 235 x 200 mm

Dimensions (Stainless steel basket):

L x W x H = 230 x 175 x 140 mm

Standard Accessories



40677

Socket at the base, 2 pieces (cannot be retrofitted)

40678

Potential equalisation socket at base (cannot be retrofitted)

40018

Doctor's foot rest made of stainless steel



42000

Column cover made of polished stainless steel

40000

Additional charge for powder coated base according to RAL colour chart

41000

Additional charge for powder coated cover of the column according to RAL colour chart

Standard Accessories



40898
Mobility for examination chair, consisting of 4 double leading castors, $\phi = 75\text{mm}$, lockable, electrically conductive, not for patient transfer



40046
Hand switch for control of height adjustment, pelvis section adjustment and back section adjustment (only for item 400520, cannot be retrofitted)

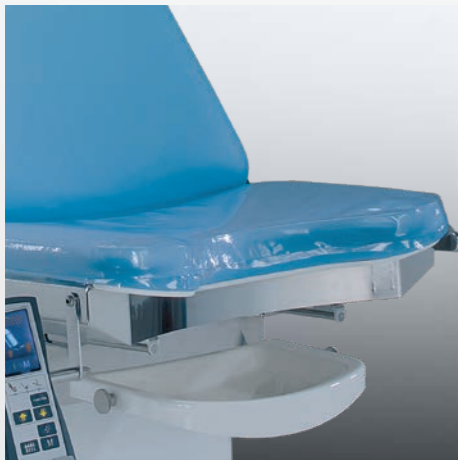


81043
Storing bowl made of stainless steel, dimensions:
L x W x H = 325 x 265 x 65 mm



28530
Hand grips, white RAL 9010 (pair)

28531
Additional charge for artificial leather cover of handgrips in colour of upholstery (pair)



40020
PVC-protective cover for pelvis part upholstery



85222
Back section side rails for accessory attachment (pair), L = 600 mm

85223
Pelvis section side rails for accessory attachment (pair), L = 320 mm



61211
Arm rest, rotatable and tiltable by means of ball joint, height adjustable, horizontally slidable, upholstery electrically conductive, incl. clamp and fixture strap, dimensions (upholstery):
L x W x H = 400 x 115 x 40 mm



40220
Arm rest, swivelling, incl. artificial leather covered upholstery in colour of choice, dimensions (upholstery):
L x W = 600 x 165 mm

Standard Accessories



40023
Neck upholstery, incl. magnetic fixation



81805
Infusion rod for side rail attachment, stainless steel, incl. rotatable clamp



82348
Examination luminaire for attachment at holder 82349_1, 82349_2 or 82349_3

- LED technology (40'000 lx / 0.5 m)
- Illuminated field 180 mm
- Precise colour rendering Ra >93
- Light colours 3300 K, 3800 K or 4400 K
- Illumination strength dimmable in five stages
- Operating unit on light head
- Stepless positioning through flexible arm
- Slight thermal radiation in light



40070
Wall holder made of stainless steel, for attachment of footrests, leg holders, leg plates and further accessories to fix at side rail (25 x 10 mm), dimensions (L x W x H): 300 x 235 x 200 mm



82349_1
Holder for examination luminaire, adaptable on the right side

82349_2
Holder for examination luminaire, adaptable on the left side

82349_3
Examination luminaire holder for examination chair with colposcope holder, adaptable at the right or at the left side

Additional Furniture

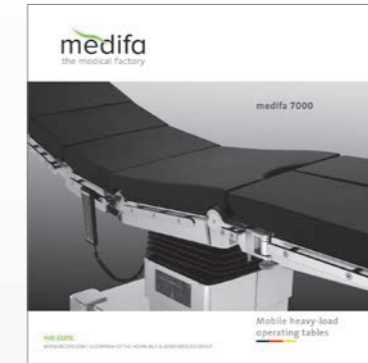
Our full range of products:



366036
Examination chair, movable, polished stainless steel base, double swivel castors \varnothing 65 mm (electr. conductive), foot activation of central brake, height adjustable by gas spring with foot activation from 480 - 605 mm, dimensions:
seat \varnothing 400 mm,
upholstery = 70 mm,
base \varnothing = 600 mm



206045
Mobile stool with saddle seat, with five-arm aluminium base, polished, double swivel castors \varnothing 65 mm (electr. conductive), height adjustment with gas spring support 450-580 mm, with a hand lever under the seat, incl. foot rest ring, dimensions:
seat \varnothing = 400 mm,
upholstery = 70 mm,
base \varnothing = 600 mm





we care.

CE

Version 0001-18-EN
Data subject to change without notice.

www.medifa.com | a company of the medifa healthcare group

medifa GmbH & Co. KG

Industriestraße 5

57413 Finnentrop

Germany

fon +49 2721 71 77 -0

fax +49 2721 71 77 -15

info@medifa.com

Made in Germany

